

# FLUSH FINK®

Cathodic Protection  
Test Station



1-800-452-0200  
www.flushfink.com  
© 2008 Flush Fink, Inc. All rights reserved.

The **FLUSH FINK**<sup>®</sup> cathodic protection test station and terminal enclosure is a high strength, maintenance free, non-conductive, flush mounted below ground terminal. It's patented "Bell Jar" design keeps test leads dry even when the enclosure is covered by flood water. Field proven since 1978, **FLUSH FINK**<sup>®</sup> is manufactured by Cott in Pittsburgh, Pennsylvania and Los Angeles, California. It is available from Cott distributors everywhere.

**Features:**

**CP Test Station**

Watertight Bell, Terminal Board and Housing are made from Makroblend<sup>®</sup> polycarbonate alloy, one of the worlds toughest plastics. **FLUSH FINK**<sup>®</sup> is impervious to impact, traffic loads and chemical spills common to street usage.

**Support Post**

**COTTPipe**<sup>®</sup> PE (Standard) polyethylene blend has over 20 years of proven durability. **COTTPipe**<sup>®</sup> PC (optional) polycarbonate is available for the toughest applications. Standard length 1 foot - available to 40 feet with Cott's Telescoping Extender.

**Colors**

Red, Orange, Yellow, Green, Blue, White and Black are standard on **FLUSH FINK**<sup>®</sup> and **COTTPipe**<sup>®</sup>. Any color is available as an option.

**Hardware**

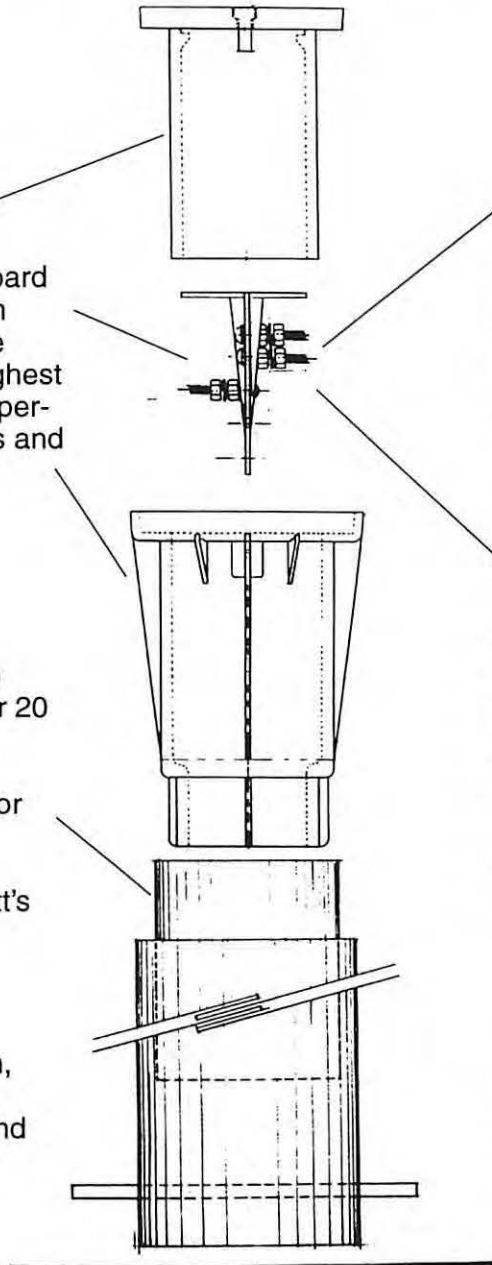
Standard nickel plated brass or optional stainless steel for guaranteed long service life. Up to 11 terminals accessible from both sides of the board.

**Accessories**

All **FLUSH FINK**<sup>®</sup> terminal boards can accommodate **COTTShunts**<sup>®</sup>, Slide Resistors, Rheostats, **COTTMeters**<sup>®</sup> (Volt or Amp) Burndy connectors, Cott bonding/shorting straps, Banana Jacks, **ZAP Gard**<sup>®</sup>, locking devices, and lightning arrestors.

**Dimensions**

5½" Diameter x 8" height fits 4" schedule 40 pipe.



Distributed by:  
 Interprovincial Corrosion Control Co. Ltd.  
 930 Sheldon Court  
 Burlington, Ontario L7L 5K6  
 Telephone: (905) 634 7751  
 Fax: (905) 333 4313