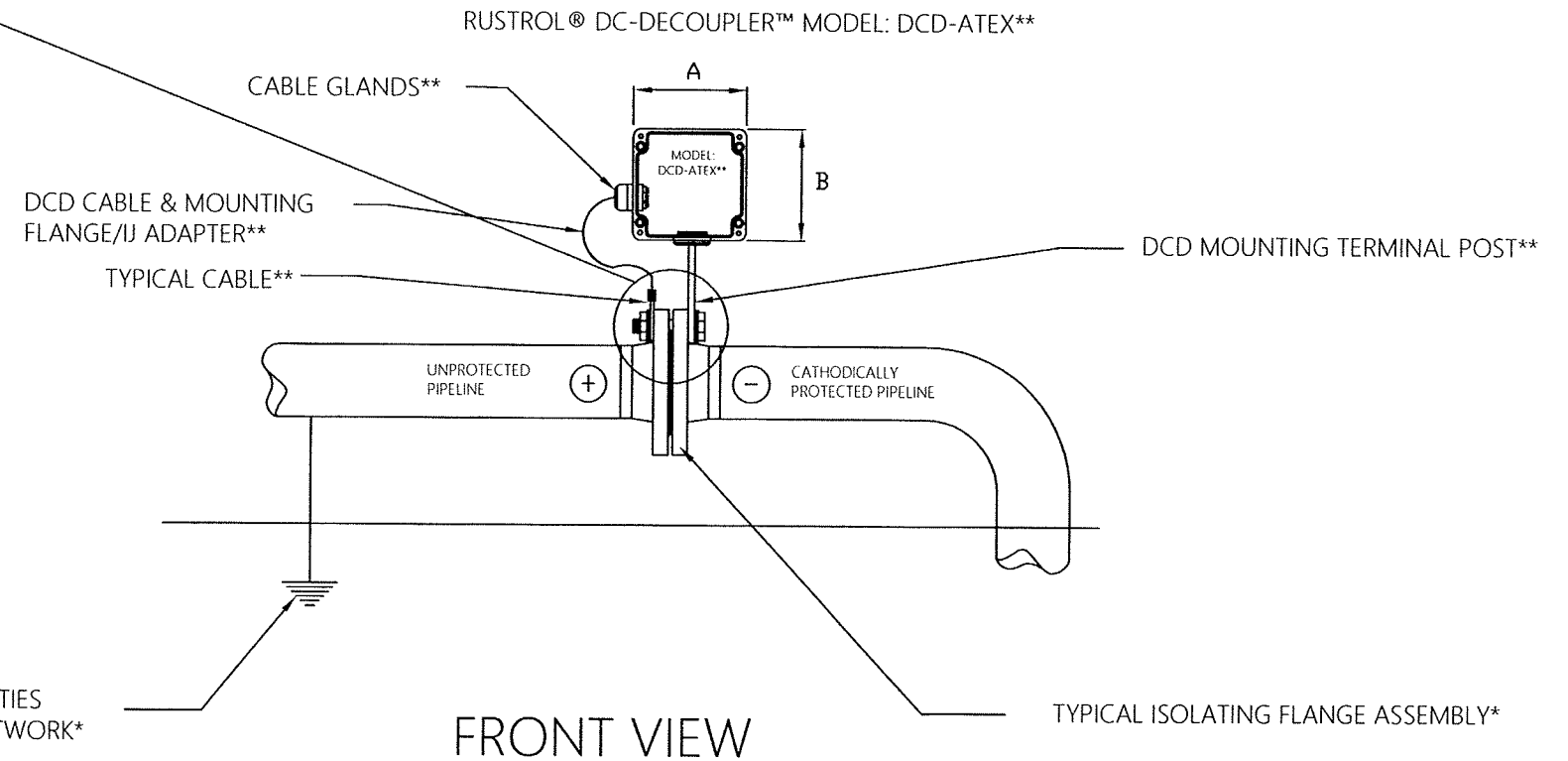


DETAIL NO. 1

NOTES:

- 1) NOT DRAWN TO SCALE
- 2) NOMINAL DIMENSIONS
- 3) ALL DIMENSIONS ARE APPROXIMATE.
- 4) ALL DIMENSIONS ARE SHOWN WITH BOTH METRIC & IMPERIAL UNITS AND ARE GOVERNED BY THE IMPERIAL MEASUREMENTS AS SHOWN.
- 5) ALL NOTED (**) DETAILS ARE INCLUDED WITH RUSTROL® DC-DECOUPLER™ MODEL: DCD-ATEX
- 6) THE RUSTROL® DC-DECOUPLER™ IS TYPICALLY PROVIDED WITH THE FLANGE MOUNT ASSEMBLY (FMA). THE FMA IS TYPICALLY PROVIDED WITH ONE (1) CABLE 300mm (12") LENGTH OF AWG #6 (EQUIVALENT TO 16MM²), MULTI-STRAND CONNECTING CABLE WITH HIGH TEMPERATURE BLACK INSULATION AND ONE (1) RUSTROL® EXTERNAL FLANGE MOUNT BRACKET TO ACCOMMODATE FOR UP TO M30 (1") DIA. FLANGE BOLT.
- 7) TYPICAL INSTALLATION ONLY, VARIATIONS ARE COMMON BASED ON SITE REQUIREMENTS. ALL NOTED (*) DETAILS ARE PROVIDED AS SUGGESTIONS ONLY, AND ARE TO BE PROVIDED BY OTHERS. ALL NOTED (**) DETAILS ARE NOT INCLUDED WITH RUSTROL® PRODUCTS.
- 8) TYPICAL OVERALL DIMENSIONS FOR STANDARD RUSTROL® DC-DECOUPLER™ MODEL: DCD; DIMENSIONS ARE MODEL SPECIFIC.
- 9) THE DIAMETER (i.e. NPS) AND PRESSURE RATINGS OF THE FLANGE ISOLATING ASSEMBLY WHERE THE RUSTROL® MODEL: DCD-ATEX IS TO BE INSTALLED SHOULD BE CONFIRMED TO ICCC PRIOR TO MANUFACTURE.
- 10) WHILE PUBLISHED STATEMENTS ARE BELIEVED TO BE ACCURATE, THEY ARE OFFERED AS SUGGESTIONS ONLY. ANY USE THEREOF IS AT THE USER'S INDEPENDENT DISCRETION.
- 11) THIS DRAWING REMAINS THE PROPERTY OF INTERPROVINCIAL CORROSION CONTROL COMPANY LTD.



FRONT VIEW

No.	Date	By	Revision	Chk'd by	Date
0	JAN 31/2015	H.O.	ISSUED FOR APPROVAL		JAN 31/2015
1	JUN 31/2015	H.O.	REMOVED 'CATHODIC ISOLATOR' WORDAGE	<i>Atuo</i>	

**INTERPROVINCIAL
CORROSION CONTROL
COMPANY LIMITED**

930 Sheldon Court
Burlington Ontario Canada

Ph: (905) 634-7751 Fax: (905) 333-4313

www.Rustrol.com
Copyright 2015

Project TYPICAL INSTALLATION
OF THE RUSTROL® DC-DECOUPLER™
MODEL: DCD
ACROSS
FLANGE ISOLATION ASSEMBLY

Model No. DCD-ATEX-FMA
DCD-ATEX-OT

Title

Drawing No. DCD-01

Rev. 1